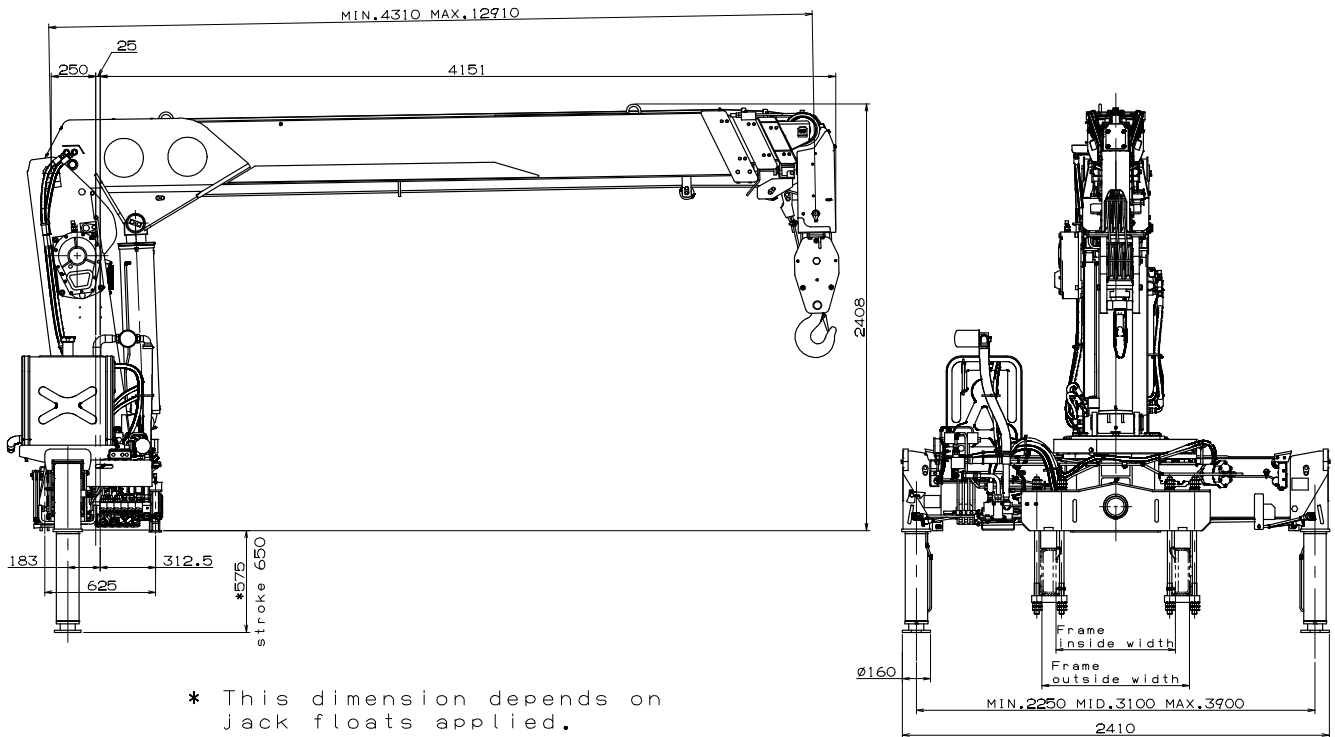


DIMENSIONS



GENERAL DATA FOR SUITABLE TRUCKS

Gross vehicle mass (including crane mass) ---	20,000 kg or more
P.T.O. torque -----	167 N-m{17 kgf-m} min.
P.T.O. revolution -----	Approx. 1,700 min ⁻¹ {rpm} max.
Width for crane mounting -----	Approx. 920 mm min.
Frame -----	Weight distribution and frame strength should be calculated for each truck
Frame width range (inside to outside) -----	Approx. 576 to 953 mm
Frame height (ground to frame top) -----	Approx. 1,055 mm max.
	(Height of crane mounting base can be changed by combination of jack floats and crane bases)